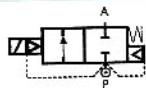


2/2 WAY PILOT OPERATED SOLENOID VALVE, G 3/8" ÷ G 1"



normally closed

TYPE: D204/205/206/222

TECHNICAL SPECIFICATIONS

- Media: water, oil, air
- Media temperature: -10°C + +130°C
- Ambient temperature: -10°C + +50°C
- Body material: AISI 316L (ASME SA351/351M GRADE CF3M)
- Operator material: stainless steel
- Operator seal material: FKM
- Seamless tube as standard, suitable for steam
- Seal and diaphragm material: FKM
- Silver shading ring
- Coil power: AC 18VA (holding)
AC 36VA (inrush)
DC 14W
- Protection class: IP 65 (with connector)

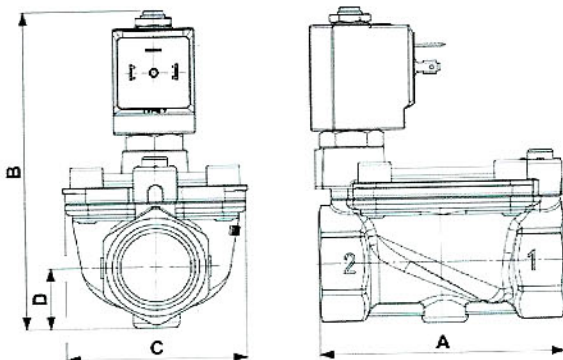


OPTIONS

- Normally open (E. g. code RD205DVZI)
- Manual override (E. g. code D205DBZIM)
- EPDM seal for air and hot water MAX 120° C (E. g. code D204DEZI)
- NBR seal for air, water, oil MAX 90° C (E. g. code D206DBYI)
- NPT connection available on request; please contact M&M Sales Dept. for details
- Coil with insulation class "H" (E. g. code 725I)
- Res coil on request (E. g. code 770R)

SELECTION TABLE

VALVE	G connection	nominal diameter	flow rate kvs	min	OPD max		COILS	
					AC [bar]	DC [bar]	Code	[Volts/Hz]
Code	[ISO 228]	[mm]	[l/min]	[bar]				
D204DVZI	3/8"	13	55	0.3	16	16	7250	24V CC
D205DVZI	1/2"	13	63	0.3	16	16	7200	24V 50/60Hz
D206DVYI	3/4"	25	140	0.3	16	16	7400	110V 50Hz - 120V 60Hz
D222DVYI	1"	25	216	0.3	16	16	7600	200V 50Hz - 220V 60Hz
							7700	230V 50Hz - 240V 60Hz



DIMENSIONS & WEIGHTS

G connection	A	B	C	D	weight
[ISO 228]	[mm]	[mm]	[mm]	[mm]	[kg]
3/8"	67	102	44.2	15	0.49
1/2"	67	102	44.2	15	0.49
3/4"	96	125.1	70.5	24	1.1
1"	96	125.1	70.5	24	1.1