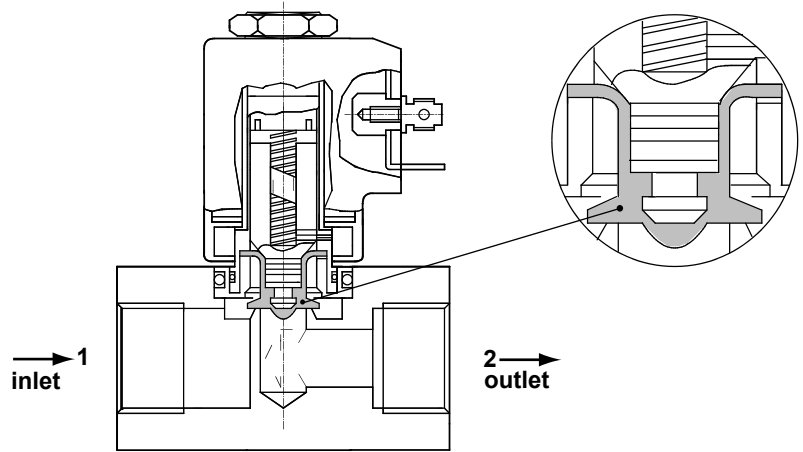


direct operated solenoid valves

coil 31 mm

general information	
ambient temperature	- 10°C to + 50°C
response time	on request
mounting	in any position
standard seal materials*	NBR, FPM, EPDM, MVQ
dimensions	see page 2/2
coil data	see page 2/2
connector data	see page 2/2



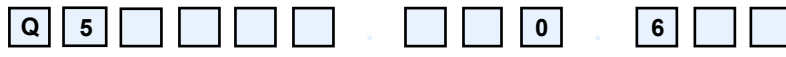
NC

\* other seal materials on request

function	symbol	port size	orif. mm	Kv	pressure range (bar)			nominal power		TABLE A main code	
					min.	max. DC	max. AC	Watt DC	V.A.		
									Inr.		Hol.
<b>2/2 normally closed (NC)</b> 	G1/8	3.0	3.5	0	1	1	10	21.5	13.5	<b>Q5B130</b>	
	G1/4	6.0	11.0	0	1	1	10	21.5	13.5	<b>Q5C160</b>	
	G3/8	8.0	16.0	0	0.5	0.5	10	21.5	13.5	<b>Q5D180</b>	
	G1/2	10.0	22.0	0	0.5	0.5	10	21.5	13.5	<b>Q5E110</b>	

\*l/min. of water with ΔP of 1 bar

order code



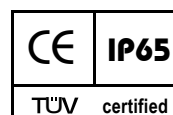
main code
see table A on this page

body	
code	material
P	PVC
* other body materials on request	

seals	
code	material
B	NBR
V	FPM
E	EPDM
S	MVQ

coil code
see table B on page 2/2

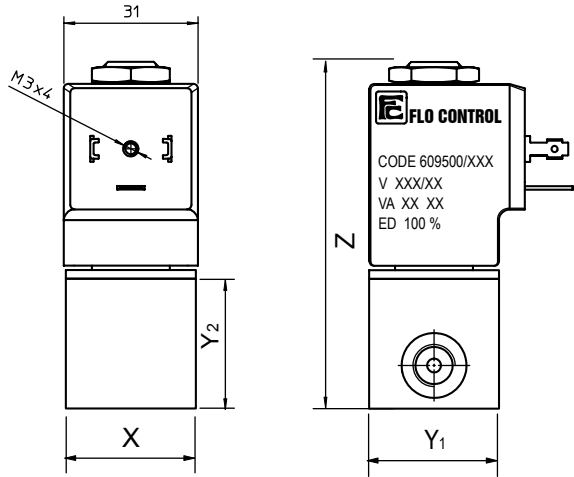
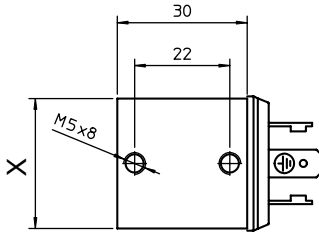
**FLO CONTROL**  
Solenoid Valves



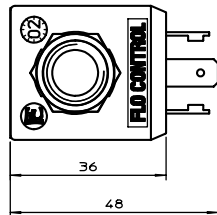
direct operated solenoid valves

coil 31 mm

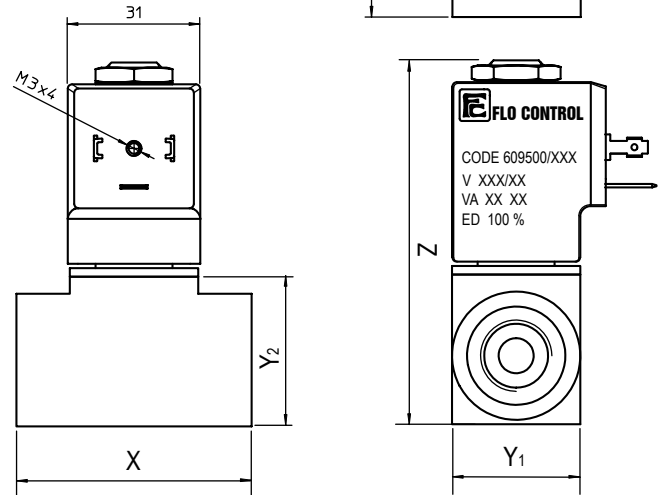
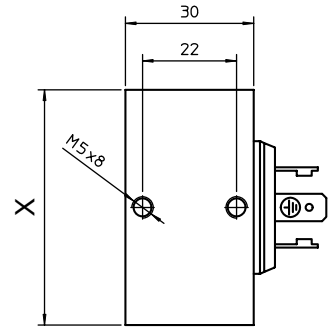
G1/8 - G1/4



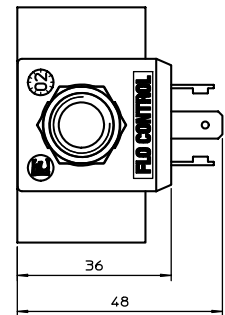
port size	G1/8	G1/4
X	30	35
Y <sub>1</sub>	30	30
Y <sub>2</sub>	30	30
Z	79	79
weight g	210	210



G3/8 - G1/2



port size	G3/8	G1/2
X	55	65
Y <sub>1</sub>	30	30
Y <sub>2</sub>	35	35
Z	84	84
weight g	230	240



coil code	TABLE B			
	*voltages	code		
		~ 50 Hz	~ 60 Hz	= DC
	-	-	-	-
	12	-	-	666
	24	611	644	671
	48	616	-	676
	110	621	-	681
	220	631	653	-
	230	638	659	-
	380	640	-	-

coil specification	
wire insulation	class H180° C
encapsulation	class F155° C
encapsulation mat.	nylon
energising duration	100% at +20° C ambient
voltage tolerance	- 10% +15% of nominal voltage
power consumption	AC 13,5 VA - DC 10 Watt
electrical connection	DIN 43650/B (2P+ earth)
cable connection	Pg 9 (for cable dia. 6-8mm)
protection class	IP 65 (with connector)

\* other voltages and wattages on request

connector (not included, must be ordered separately)

code	Z10031
------	--------

**FLO CONTROL**  
Solenoid Valves

